



**Ahead Cell Technology Co.,Ltd**

---

**Bobbin Cell  
1/10D**

**Primary Lithium Battery**

**ER32L65 3.6V**

**3.6V Primary lithium-thionyl chloride  
(Li-SOCl<sub>2</sub>) Energy Type**

For low drain/long term operating applications requesting superior voltage response in -55°C ~+85°C environments

Alternative models TL-5134/TL4934/TL2134/SL789

---

**Electrical characteristics**

(Typical values relative to cells stored for one year or less at +30°C max.)

Nominal capacity 1.0Ah  
(At 0.5mA +20°C, 2.0V cut off. The capacity restored varies according to current, temperature, cut off)

Open circuit voltage (At 20°C) 3.66V

Nominal voltage (At 0.5mA +20°C) 3.6 V

Max. continuous current (at +20°C) 10mA

Typical Max. Pulse current (at +20°C) 20mA

Pulse capability: Typically up to 20mA (20mA/0.1second pulses drained every 2min at 20°C from cells with 10µA base current, yielding voltage readings above 3.0V. The readings may vary according to pulse characteristics, temperature and cell's previous history. Fitting the cell with a capacitor may be recommended in severe conditions. Consult ACT if necessary)

Storage (recommended) +30°C Max

Operating temperature range  
(High and low temperature will lower the capacity and load voltage.) -55°C ~+85°C

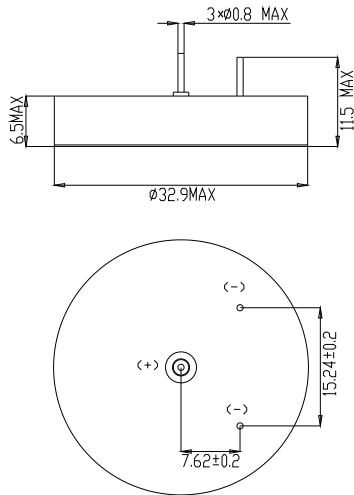
**Physical characteristics**

Diameter(Max) 32.9mm

Height(Max) 6.5mm

Typical weight 19g

## ER32L65



### Key features

- >High and stable load voltage
- >Superior drain capacity
- >Low self-discharge rate  
(less than 1% after 1 year of storage at 20°C)
- >Stainless steel container
- >Hermetic glass-to-metal sealing
- >Laser welding
- >Non-flammable electrolyte

### Main applications

- >Radiocommunication and other military applications
- >TPMS
- >RFID
- >Alarms and security systems
- >Beacons and emergency location transmitters
- >GPS equipment
- >Metering systems
- >Led lighting applications
- >Others

### Storage

- >Cells should be stored in a clean & dry (less than 30% RH) area
- >Temp. should not exceed +30°C

### Warning

- >Do not use if cell casing is mangled
- >Do not use different model of cell in series
- >Soldering the tag should be finished in few seconds
- >Do not try to recharge

