



Ahead Cell Technology Co.,Ltd

Primary Lithium Battery

ER49L65 3.6V

Primary lithium-Thionyl Chloride
(Li-SOCl₂) Bobbin type

For low drain/long term operating
Applications requesting superior voltage
response in -55°C~+85°C environments

Electrocal characteristics

(Typical values relative to cells stored for one year or less at +30°C max)

Nominal capacity 2.6Ah

(At 1mA +20°C, 2.0V cut off. The capacity restored varies according to current, temperature, cut-off-voltage)

Nominal voltage (20°C) 3.6V

Max. continuous current (20°C) 50mA

Typical Max. pulse current (20°C) 100mA

Pulse capability: Typically up to 100mA(100mA/0.1 second pulses drained every 2min at 20°C from cells with 10µA base current, yielding voltage readings above 2.5V. The readings may vary according to pulse characteristics, temperature and cell's previous history. Consult ACT if necessary)

Storage(recommended) +30°C Max

Operating temperature range -55~+85°C

(High and low temperature will lower the capacity and load voltage)

Physical characteristics

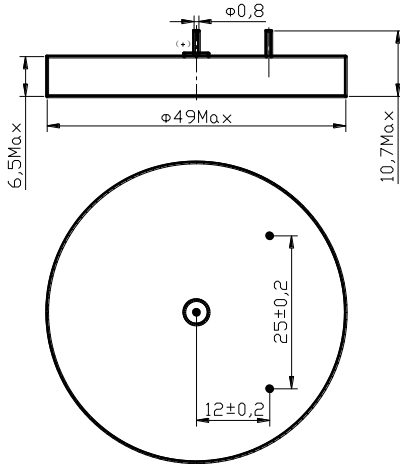
Dimension(Max) φ 49.0*6.5mm

Typical weight 53g



RoHS

ER49L65



Key features

- >High and stable load voltage
- >Superior drain capacity
- >Low self-discharge rate
(Less than 1% after 1 year of storage at 20°C)
- >Stainless steel container
- >Hermetic glass-to-metal sealing
- >Laser welding
- >Non flammable electrolyte

Main applications

- >Radio communication and other Military applications
- >Alarms and security systems
- >RFID
- >Beacons and emergency location transmitters
- >GPS equipments
- >Metering systems
- >Led lighting applications
- >Others

Storage

- >Cells should be stored in a clean & dry (less than 70%RH) area
- >Temp. should not exceed +30°C

Warning

- >Do not use if cell casing is mangled
- >Do not use different model of cell in series
- >Do not try to recharge
- >Do not throw into fire

